



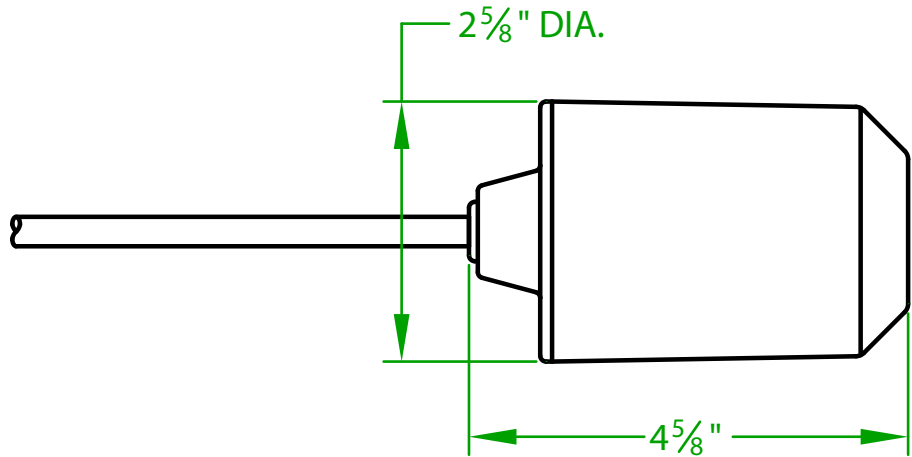
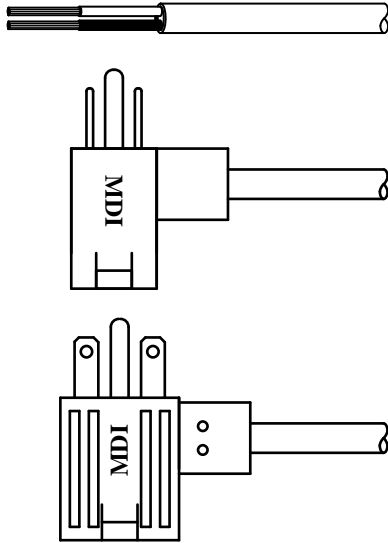
MERCURY DISPLACEMENT INDUSTRIES, INC.

Post Office Box 710 - U.S. 12 East - Edwardsburg, Michigan 49112-0710

Phone (269) 663-8574 - Fax (269) 663-2924

(800) 634-4077

“G” SERIES FLOAT



SWITCHING TYPES:

NORMALLY OPEN (N.O.) OR PUMP DOWN

CONTACTS CLOSE @ 45° ABOVE HORIZONTAL

CONTACTS OPEN @ 45° BELOW HORIZONTAL

NORMALLY CLOSED (N.C.) OR PUMP UP

CONTACTS OPEN @ 45° ABOVE HORIZONTAL

CONTACTS CLOSE @ 45° BELOW HORIZONTAL

DOUBLE THROW

SWITCHES @ 45° ABOVE AND 45° BELOW HORIZONTAL

@ 45° ABOVE HORIZONTAL (RED IS CLOSED / WHITE IS OPEN)

@ 45° BELOW HORIZONTAL (RED IS OPEN / WHITE IS CLOSED)

RATINGS:

1/2 H.P. @ 120/240 VAC 60 Hz 58.8 LRA

13 AMPS @ 120/240 VAC (16 AWG CORD)

15 AMPS @ 120/240 VAC (14 AWG CORD)

FLOAT BODY MATERIALS:

HIGH IMPACT POLYSTYRENE (HIPS) RATED TO 140°F (60°C)

ACRYLONITRILE BUTADIENE STYRENE (ABS) RATED TO 186°F (86°C)

POLYCARB/ABS RATED TO 221°F (105°C)

CORD TYPES:

16 AWG SJOW CHLORINATED POLYETHYLENE (CPE), 14 AWG SJOW (CPE) OR 16 AWG TETRA-FLUOROETHYLENE (TFE)

WITH SKIVED ENDS, 120 VAC, 240 VAC (ALL SHOWN ABOVE) OR 3-PIN PLUGS AND CUSTOM TERMINATIONS

WITH LENGTHS FROM 01 TO 99 FEET (LENGTHS IN EVEN FOOT INCREMENTS)

FLOAT COLORS:

BLACK (HIPS)

GRAPHITE (ABS)

RED (ABS)

YELLOW (ABS)

BLUE (ABS)

GREEN (ABS)

TEEL (POLYCARB)

OPTIONS:

ZINC IRON WEIGHT FOR TETHERLESS INSTALLS

BLACK POLYPROPOLYNE TETHER CLAMP

WITH A NYLON CABLE TIE OR

STAINLESS STEEL CLAMP

GOLD PLATED CONTACTS

160µA TO 100 mA



Contactors - Relays - Switches

<http://www.mdius.com>